

FIGURE 1 - PARTS LIST: MK-2020HSP CONCRETE SAW - P/N 156498

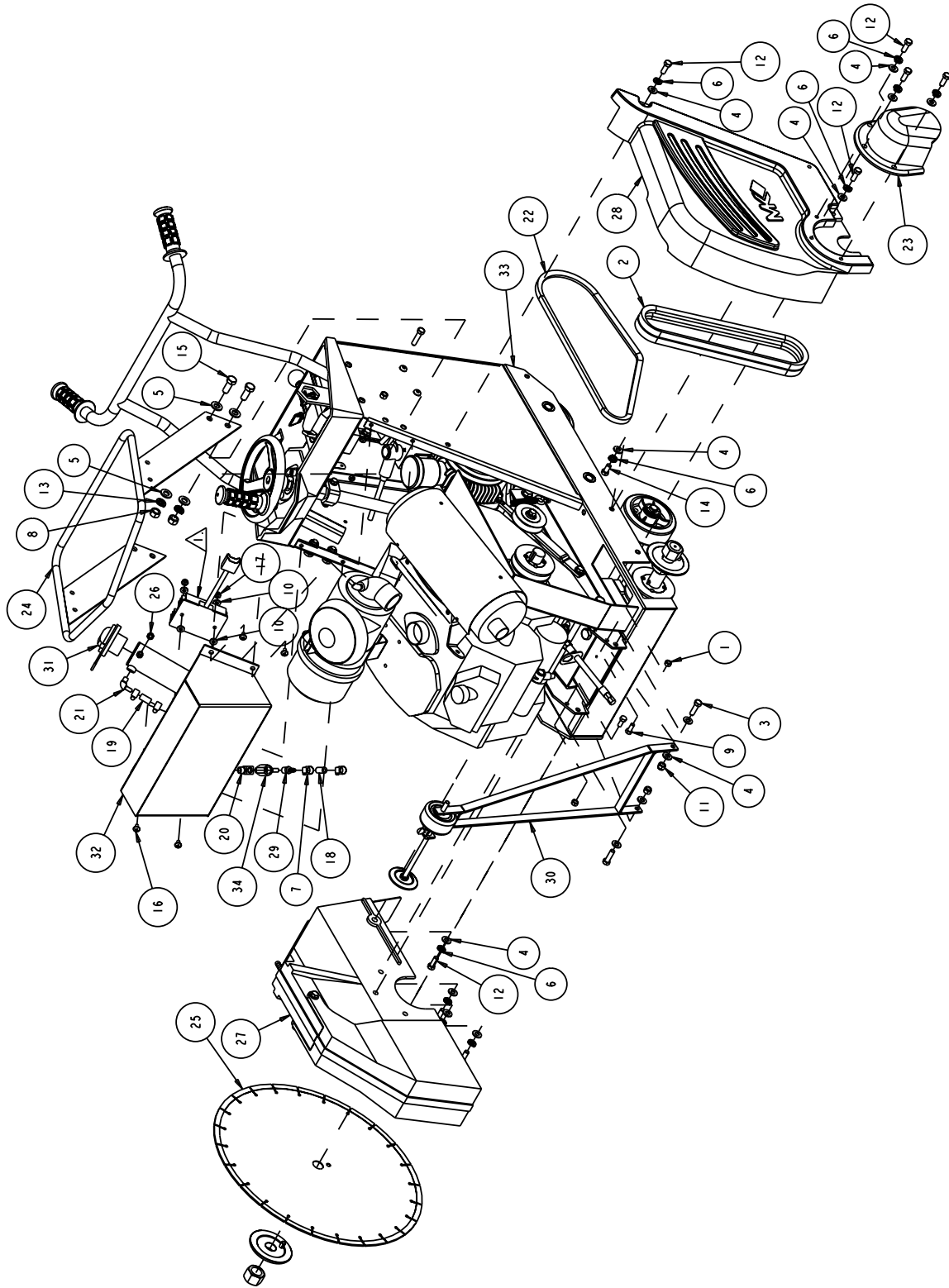
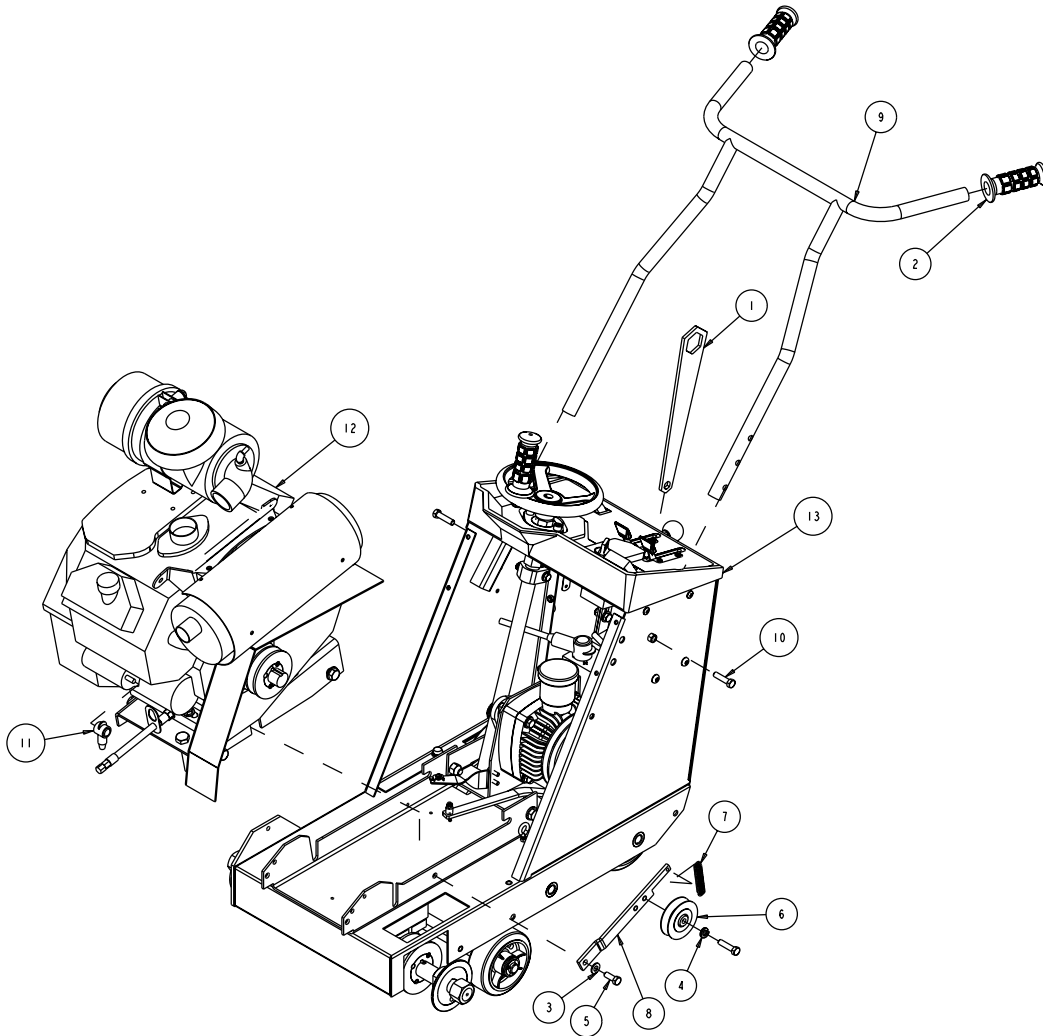


FIGURE 1 - PARTS LIST: MK-2020HSP CONCRETE SAW - P/N 156498

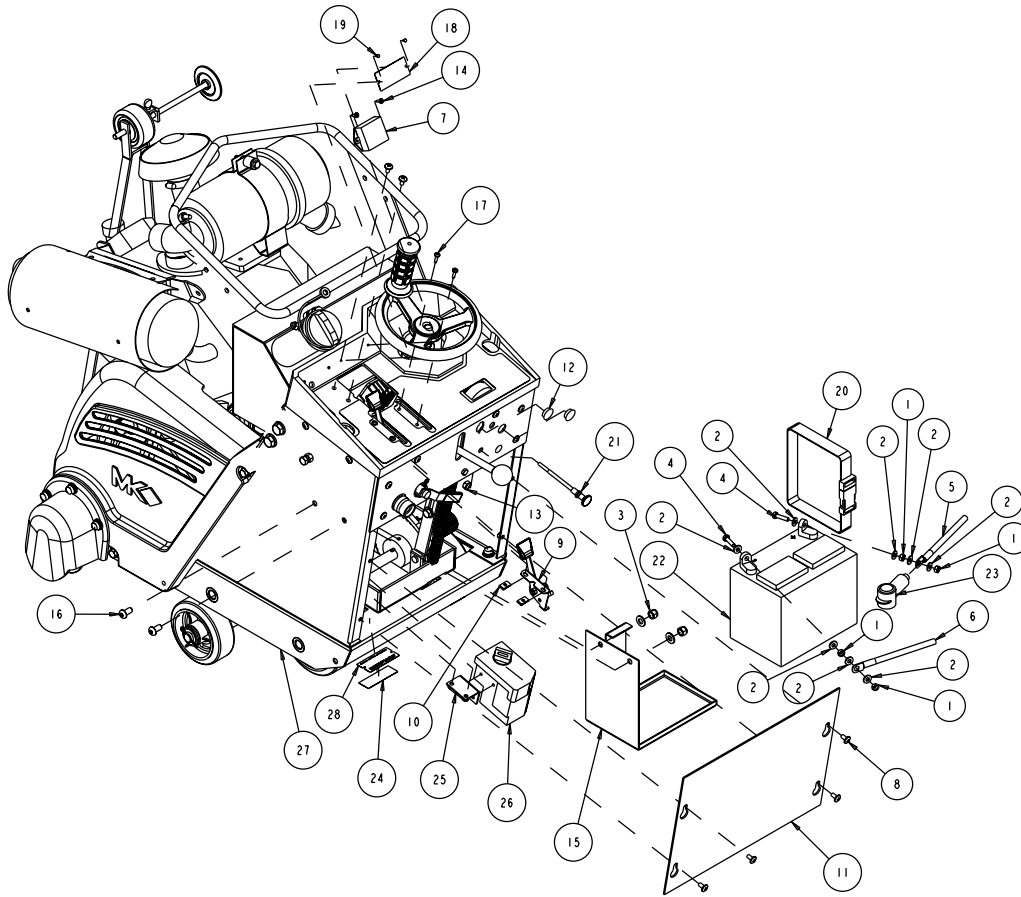
ITEM NO.	DESCRIPTION	PART OR IDENTIFYING NO.	QTY. REQ.
1	NUT, HEX, 5/16 - 18	101196	2
2	BELT, BX34	150764	2
3	SCREW, 3/8 - 16 X 1 -1/4 HEX HEAD CAP	150774	2
4	WASHER, FLAT, SAE 3/8	150923	17
5	WASHER, 1/2 SAE FLAT	150924	8
6	WASHER, LOCK, SPLIT, 3/8	150925	11
7	CLAMP, HOSE, 5.8	151198	4
8	NUT, 1/2 - 13 HEX	151282	4
9	SCREW, HEX HD, CAP, 5/16 - 18 X 3/4	151369	2
10	WASHER, 1/4 SAE FLAT	151915	12
11	NUT, 3/8 - 16 NYLOK HEX	152505	4
12	SCREW, HEX HD CAP, 3.8 -16 X 1	152507	10
13	WASHER, 1/2 SPLIT LOCK	153524	4
14	SCREW, HEX, 3/8 - 16 X 3.4	153527	1
15	SCREW, 1/2 - 13 X 1 -1/4 HEX HEAD CAP	153532	4
16	SCREW, 1/4 - 20 X 1/2 TRUSS HEAD	153880	10
17	NUT, HEX, TW, 1/4 - 20	153941	2
18	HOSE, 1/4 FUEL, 12"	154163	1
19	HOSE, 1/4 FUEL, 24"	154163	1
20	ELBOW, 1/4 MNPT STREET	154615	1
21	ELBOW, 1/8 MNPT X 1/4 BARB 90DEG	154652	1
22	BELT, AX-42	156110	1
23	GUARD, SHAFT (COMP)	156307	1
24	LIFTING BAIL	156543	1
25	BLADE, MK-799D 16 X 125 X 1	157769	1
26	NUT, HEX, NYLK, 5/16 - 18	158289	1
27	ASSY, BLD GRD 20"	158818	1
28	BELTGUARD (COMP)	159888	1
29	FITTING, PUSH ON HOSE 1/4 X 1/4 MALE	165183	1
30	ASSY, POINTER, CONC SAW	166465	1
31	CAP, 2" FUEL FILLER	167220	1
32	TANK, FUEL, 2.5 GAL	169353	1
33	ASSY, FRAME, LESS ENGINE	169719	1
34	VALVE, BALL, 1/4"M TO 1/4"F	231248	1

FIGURE 1 - PARTS LIST: MK-2020HSP CONCRETE SAW - P/N 156498



ITEM NO.	DESCRIPTION	PART OR IDENTIFYING NO.	QTY. REQ.
1	WRENCH, BOX END, 1-1/2 X 9/16	137976	1
2	GRIP, HANDLE, 1/0 ID	150842	2
3	WASHER, FLAT, SAE, 3/8	150923	3
4	WASHER, LOCK, SPLIT, 3.8	150925	1
5	SCREW, HEX HD CAP, 3/8 - 16 X 1	152507	8
6	PULLEY, 1A30 X 1/2 BORE IDLER	153797	1
7	SPRING, 9.16 X 2.5 EXTENSION	153807	1
8	BRACKET, IDLER PULLEY	154244	1
9	WELDMNT, HANDLEBAR	156516	1
10	SCREW, HEX HEAD 3.8 - 16 X 1 - 1/2 LG.	156656	2
11	COVER, 8 - 4 AWG TERMINAL, RED	169355	1
12	ASSY, ENGINE, HONDA GX630	169713	1
13	ASSY, FRAME, LESS ENGINE	169719	1

FIGURE 1 - PARTS LIST: MK-2020HSP CONCRETE SAW - P/N 156498



ITEM NO.	DESCRIPTION	PART OR IDENTIFYING NO.	QTY. REQ.
1	NUT, HEX, 1/4 -20	151893	4
2	WASHER, 1/4 SAE FLAT	151915	12
3	NUT, 3/8 -16 NYLOK HEX	152505	4
4	SCREW, HEX HD CAP, 1/4 - 20 X 1	152676	2
5	CABLE, 4GA X 48 RED BATTERY	153848	1
6	CABLE, 4GA X 24 BLACK BATTERY	153849	1
7	TACHOMETER/HOURMETER	153877	1
8	SCREW, 1/4 -20 X 1/2 TRUSS HEAD	153880	10
9	ASSY, THROTTLE CONTROL	155406	1
10	NUT, 10 -24 CLIP	155407	2
11	PANEL, TOWER LOWER BACK	156505	1
12	PLUG, HOLE PLASTIC 3/4"	156615	2
13	NUT, 3/8 - 24 HEX JAM	156623	1
14	SCREW, PAN HD SELF TAP 8 - 32 X 1/2	156632	2
15	BOX, BATTERY	156634	1

FIGURE 1 - PARTS LIST: MK-2020HSP CONCRETE SAW - P/N 156498

ITEM NO.	DESCRIPTION	PART OR IDENTIFYING NO.	QTY. REQ.
16	SCREW, BTN HD 3/8 16 X 3/4 SOCK	156635	2
17	SCREW, PAN HD PHIL MS 10 24 X 3/4	156641	2
18	TAG, SERIAL #, BLANK	157500-RW	1
19	DRIVE SCREW, #7 X 5/16 ROUND HEAD	157849	2
20	STRAP, NYLON, 1"	158094	1
21	CABEL, CHOKE, HONDA (COMP)	158816	1
22	BATTERY, 12V, 35AH	162589	1
23	COVER, 1" BATTERY TERMINAL, RED	163940	1
24	TAPE, VHB, 5952 (3.0")	166487	1
25	BRACKET, SWITCH	169714	1
26	WIRING HARNESS, GX630/690	169715	1
27	ASSY, FRAME, LESS ENGINE	169719	1
28	TAG, EVAP, 20S, PARENT	169736-205	1

FIGURE 2 - PARTS LIST: MK-2024HSP CONCRETE SAW - P/N 158777

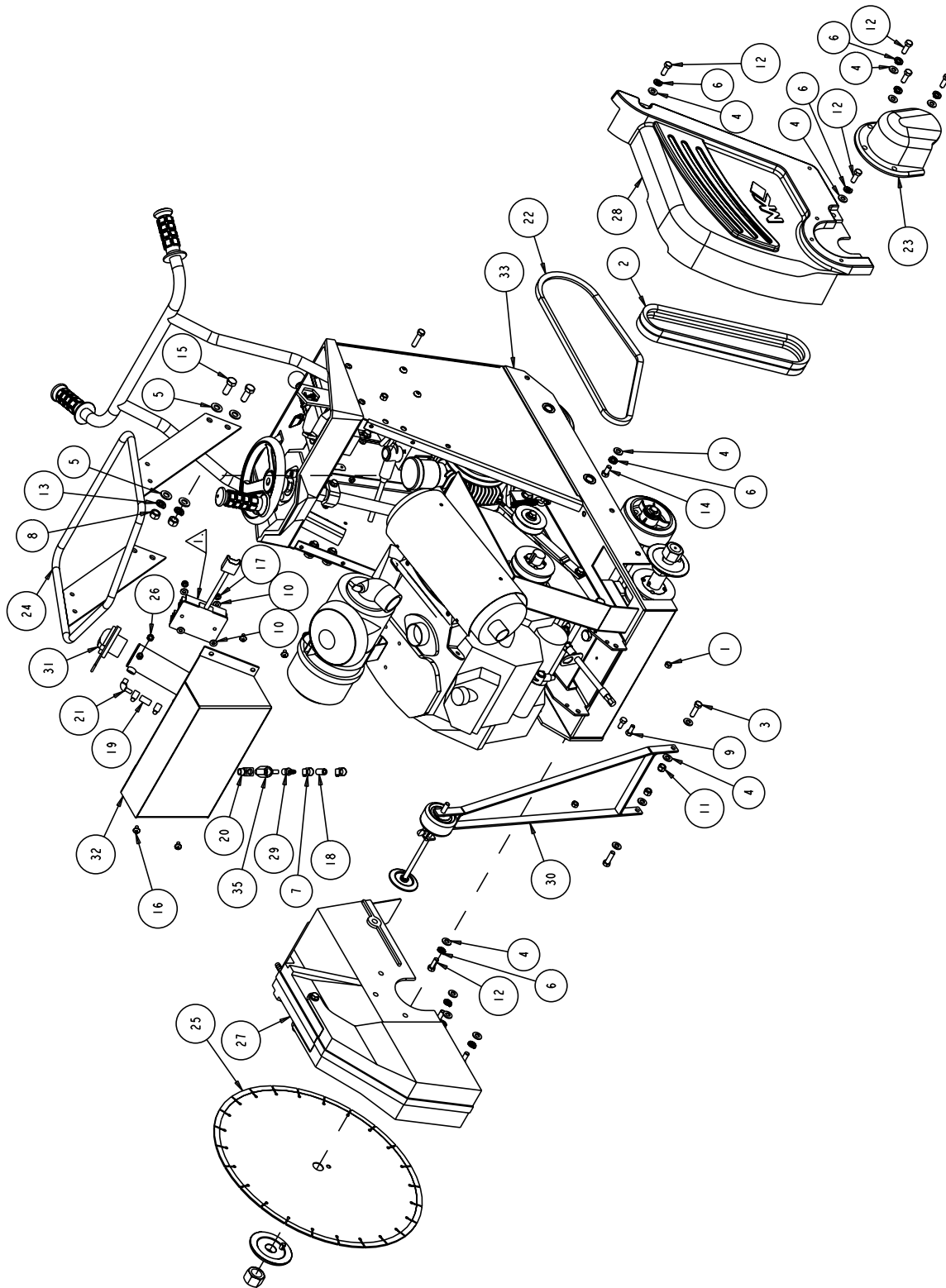
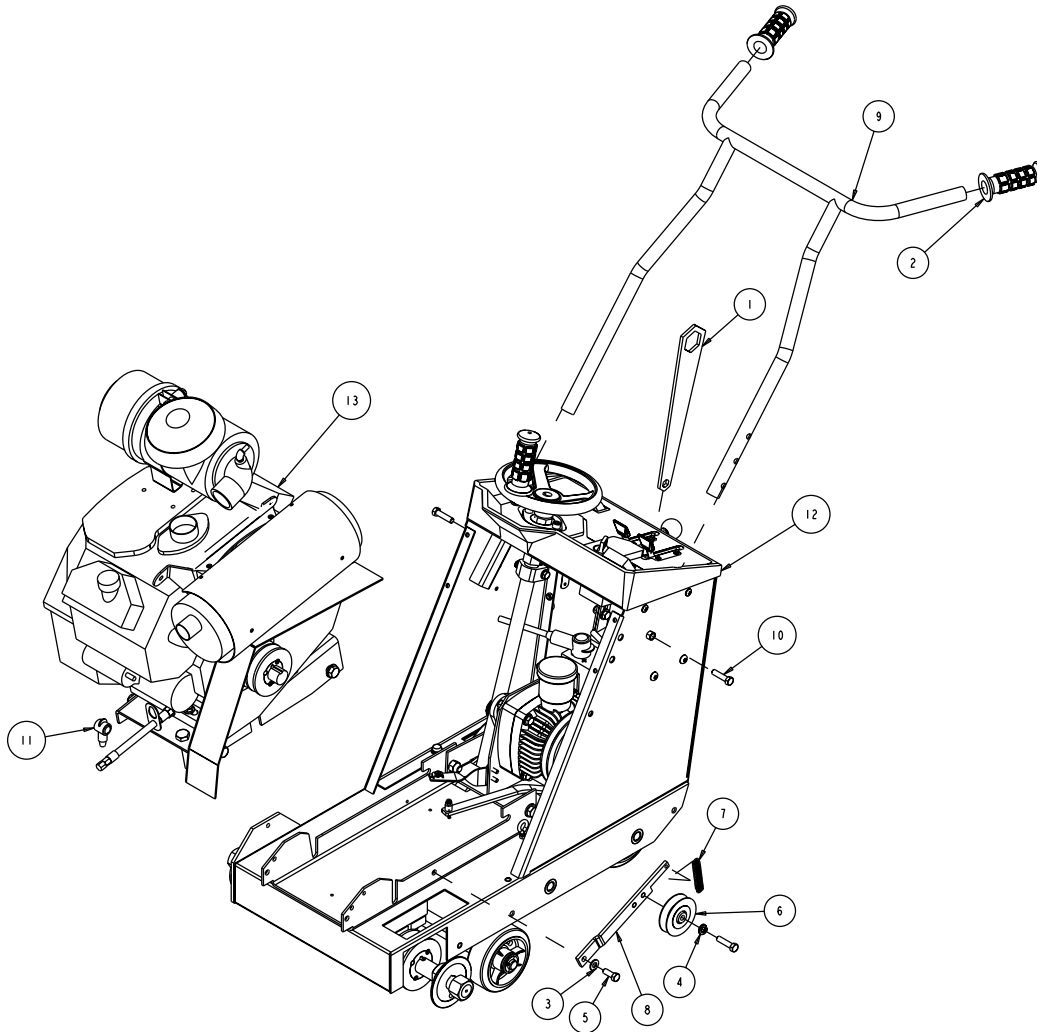


FIGURE 2 - PARTS LIST: MK-2024HSP CONCRETE SAW - P/N 158777

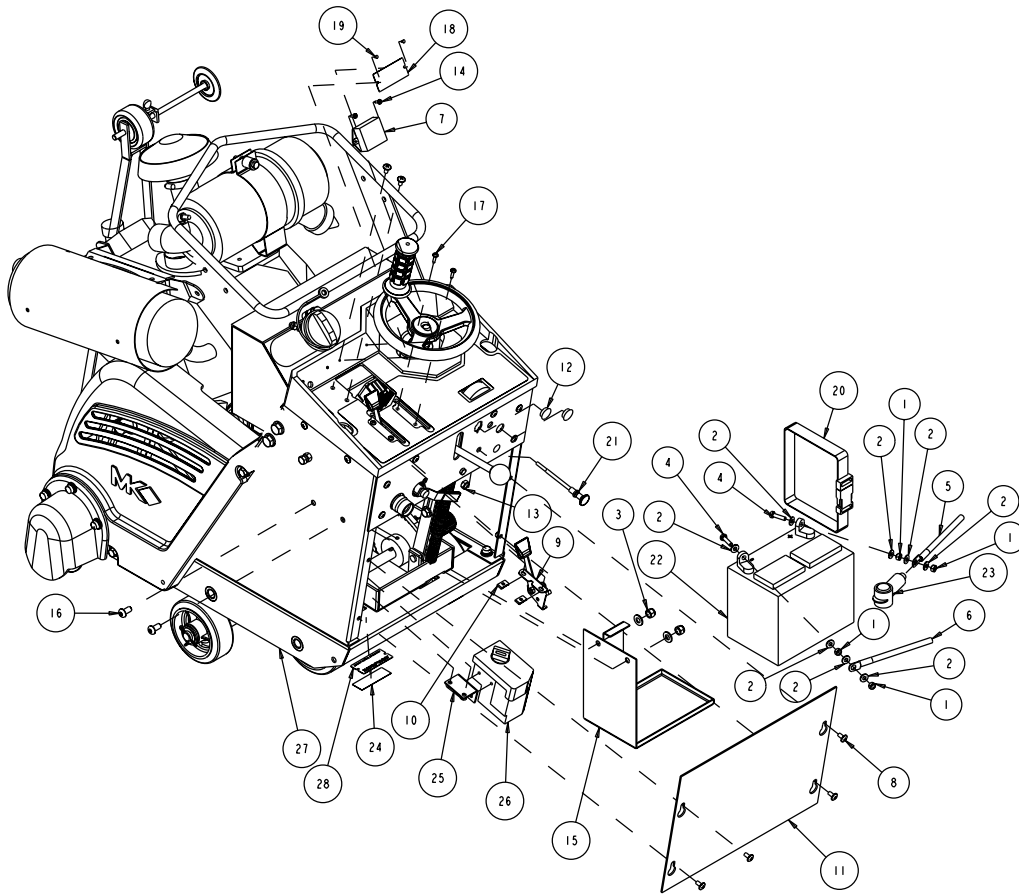
ITEM NO.	DESCRIPTION	PART OR IDENTIFYING NO.	QTY. REQ.
1	NUT, HEX, 5/16 - 18	101196	2
2	BELT, BX34	150764	2
3	SCREW, 3/8 - 16 X 1 -1/4 HEX HEAD CAP	150774	2
4	WASHER, FLAT, SAE 3/8	150923	17
5	WASHER, 1/2 SAE FLAT	150924	8
6	WASHER, LOCK, SPLIT, 3/8	150925	11
7	CLAMP, HOSE, 5.8	151198	4
8	NUT, 1/2 - 13 HEX	151282	4
9	SCREW, HEX HD, CAP, 5/16 - 18 X 3.4	151369	2
10	WASHER, 1/4 SAE FLAT	151915	12
11	NUT, 3/8 - 16 NYLOK HEX	152505	4
12	SCREW, HEX HD CAP, 3.8 -16 X 1	152507	10
13	WASHER, 1/2 SPLIT LOCK	153524	4
14	SCREW, HEX, 3/8 - 16 X 3.4	153527	1
15	SCREW, 1/2 - 13 X 1 -1/4 HEX HEAD CAP	153532	4
16	SCREW, 1/4 - 20 X 1/2 TRUSS HEAD	153880	10
17	NUT, HEX, TW, 1/4 - 20	153941	2
18	HOSE, 1/4 FUEL, 12"	154163	1
19	HOSE, 1/4 FUEL, 24"	154163	1
20	ELBOW, 1/4 MNPT STREET	154615	1
21	ELBOW, 1/8 MNPT X 1/4 BARB 90DEG	154652	1
22	BELT, AX-42	156110	1
23	GUARD, SHAFT (COMP)	156307	1
24	LIFTING BAIL	156543	1
25	BLADE, MK-799D 16 X 125 X 1	157769	1
26	NUT, HEX, NYLK, 5/16 - 18	158289	1
27	ASSY, BLD GRD 20"	158818	1
28	BELTGUARD (COMP)	159888	1
29	FITTING, PUSH ON HOSE 1/4 X 1/4 MALE	165183	1
30	ASSY, POINTER, CONC SAW	166465	1
31	CAP, 2" FUEL FILLER	167220	1
32	TANK, FUEL, 2.5 GAL	169353	1
33	ASSY, FRAME, LESS ENGINE	169719	1
34	ASSY, ENGINE, GX690	170048	1
35	VALVE, BALL, 1/4"M TO 1/4"F	231248	1

FIGURE 2 - PARTS LIST: MK-2024HSP CONCRETE SAW - P/N 158777



ITEM NO.	DESCRIPTION	PART OR IDENTIFYING NO.	QTY. REQ.
1	WRENCH, BOX END, 1-1/2 X 9/16	137976	1
2	GRIP, HANDLE, 1/0 ID	150842	2
3	WASHER, FLAT, SAE, 3/8	150923	3
4	WASHER, LOCK, SPLIT, 3.8	150925	1
5	SCREW, HEX HD CAP, 3.8 - 16 X 1	152507	1
6	PULLEY, 1A30 X 1/2 BORE IDLER	153797	1
7	SPRING, 9.16 X 2.5 EXTENSION	153807	1
8	BRACKET, IDLER PULLEY	154244	1
9	WELDENT, HANDLEBAR	156516	1
10	SCREW, HEX HEAD 3.8 - 16 X 1 - 1/2 LG.	156656	2
11	COVER, 8 - 4 AWG TERMINAL, RED	169355	1
12	ASSY, FRAME, LESS ENGINE	169719	1
13	ASSY, ENGINE, GX690	170048	1

FIGURE 2 - PARTS LIST: MK-2024HSP CONCRETE SAW - P/N 158777

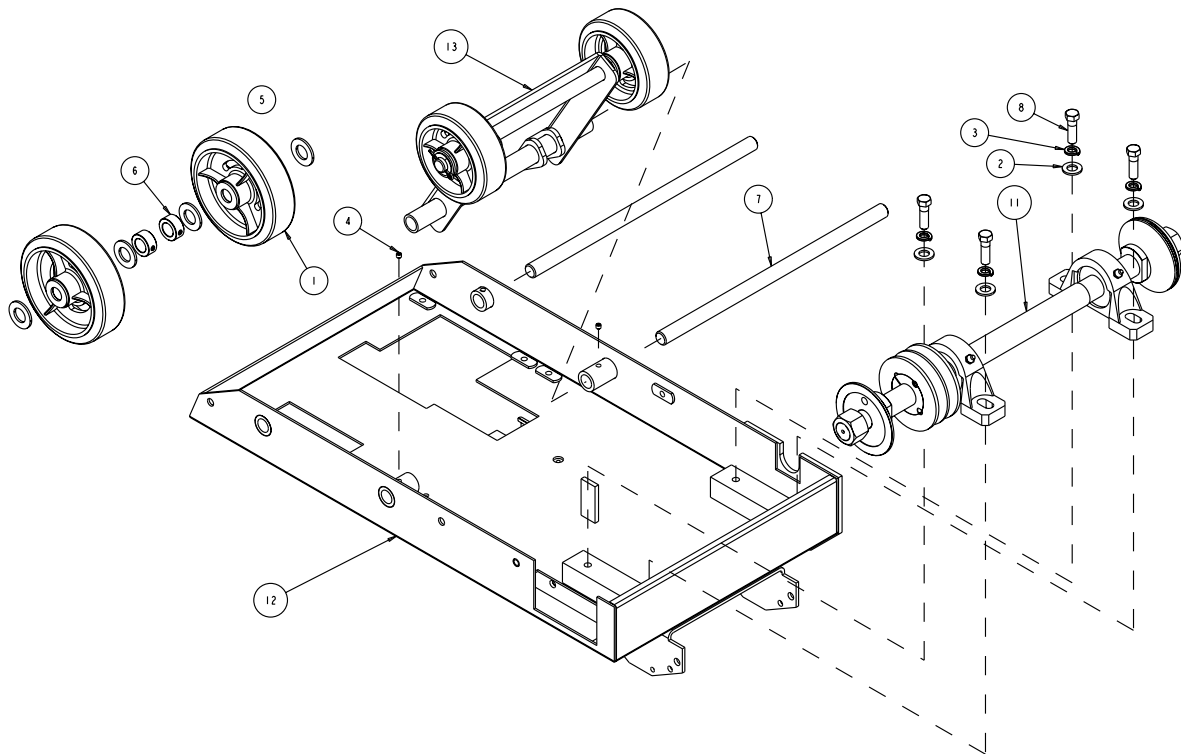


ITEM NO.	DESCRIPTION	PART OR IDENTIFYING NO.	QTY. REQ.
1	NUT, HEX, 1/4 -20	151893	4
2	WASHER, 1/4 SAE FLAT	151915	12
3	NUT, 3/8 -16 NYLOK HEX	152505	4
4	SCREW, HEX HD CAP, 1/4 - 20 X 1	152676	2
5	CABLE, 4GA X 48 RED BATTERY	153848	1
6	CABLE, 4GA X 24 BLACK BATTERY	153849	1
7	TACHOMETER/HOURMETER	153877	1
8	SCREW, 1/4 -20 X 1/2 TRUSS HEAD	153880	10
9	ASSY, TROTTLE CONTROL	155406	1
10	NUT, 10 -24 CLIP	155407	2
11	PANEL, TOWER LOWER BACK	156505	1
12	PLUG, HOLE PLASTIC 3/4"	156615	2
13	NUT, 3/8 - 24 HEX JAM	156623	1
14	SCREW, PAN HD SELF TAP 8 - 32 X 1/2	156632	2
15	BOX, BATTERY	156634	1

FIGURE 2 - PARTS LIST: MK-2024HSP CONCRETE SAW - P/N 158777

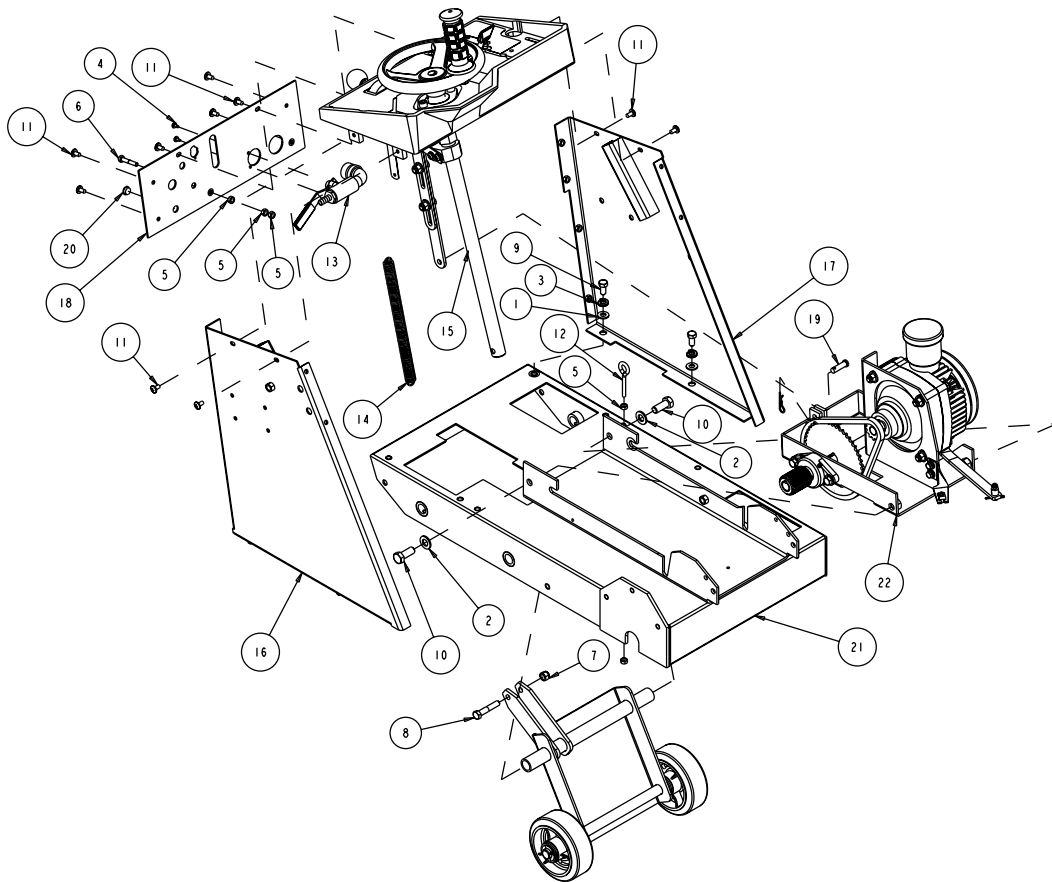
ITEM NO.	DESCRIPTION	PART OR IDENTIFYING NO.	QTY. REQ.
16	SCREW, BTN HD 3/8 16 X 3/4 SOCK	156635	2
17	SCREW, PAN HD PHIL MS 10 24 X 3/4	156641	2
18	TAG, SERIAL #, BLANK	157500-RW	1
19	DRIVE SCREW, #7 X 5/16 ROUND HEAD	157849	2
20	STRAP, NYLON, 1"	158094	1
21	CABEL, CHOKE, HONDA (COMP)	158816	1
22	BATTERY, 12V, 35AH	162589	1
23	COVER, 1" BATTERY TERMINAL, RED	163940	1
24	TAPE, VHB, 5952 (3.0")	166487	1
25	BRACKET, SWITCH	169714	1
26	WIRING HARNESS, GX630/690	169715	1
27	ASSY, FRAME, LESS ENGINE	169719	1
28	TAG, EVAP, 20S, PARENT	169736-20S	1

FIGURE 3 - PARTS LIST: FRAME, LESS ENGINE - P/N 169719



ITEM NO.	DESCRIPTION	PART OR IDENTIFYING NO.	QTY. REQ.
1	WHEEL, REAR CONCRETE SAW	138529	2
2	WASHER, 1/2 SAE FLAT	150924	4
3	WASHER, 7/16 SPLIT LOCK	151051	5
4	SCREW, 5/16 - 18 X 1/2 SOCKET HEAD SET	152607	2
5	WASHER, FLAT, SAE, 3/4	153523	4
6	COLLAR, SET, 3/4"	153814	2
7	AXLE, REAR, Ø 3/4	153873	2
8	SCREW, 7/16 - 14 X 1 - 1/2 HEX HEAD CAP	155155	4
9	ASSY, THROTTLE CONTROL	155406	1
10	ASSY, PIN CLEVIS 3/8 X 1 - /14	156611	1
11	BLADE SHAFT 20HP	156654	1
12	FRAME, WELDMENT	157092	1
13	ASSY, TRUCK	169710	1

FIGURE 3 - PARTS LIST: FRAME, LESS ENGINE - P/N 169719



ITEM NO.	DESCRIPTION	PART OR IDENTIFYING NO.	QTY. REQ.
1	WASHER, FLAT, SAE, 3/8	150923	13
2	WASHER, 1/2 SAE FLAT	150924	2
3	WASHER, LOCK, SPLIT, 3/8	150925	4
4	SCREW, PAN HD SELF TP10-24 X 3/8	151262	2
5	NUT, HEX, 1/4 - 20	151893	6
6	SCREW, HEX HEAD 1/4 - 20 X 1 - 1/2"	151914	1
7	NUT, 3/8 - 16 NYLOK HEX	152505	6
8	SCREW, HEX HD, 3/8 - 16 X 2	153485	2
9	SCREW, HEX, 3/8 - 16 X 3/4	153527	4
10	SCREW, 1/2 - 13 X 1 - 1/4 HEX HEAD CAP	153532	2
11	SCREW, 1/4 - 20 X 1/2 TRUSS HEAD	153880	10
12	EYEBLT, 1/4 - 20 X 2	153887	1
13	ASSY, WATER VALVE	153888	1
14	SPRING, EXTENSION	153957	1
15	LINKAGE, DPTH FEED 1600/9000	155049	1
16	PANEL, RIGHT, 20 SERIES	156500	1
17	PANEL, LEFT, 20 SERIES	156501	1

FIGURE 3 - PARTS LIST: FRAME, LESS ENGINE - P/N 169719

ITEM NO.	DESCRIPTION	PART OR IDENTIFYING NO.	QTY. REQ.
18	PANEL, UPPER BACK TOWER	156504	1
19	ASSY, PIN CLEVIS 3/8 X 1 - 1/4	156611	1
20	PLUG, 1/2 FLUSH HEAD BUTTON	156779	1
21	FRAME, WELDMENT	157092	1
22	ASSY, TRANSMISSION	169711	1

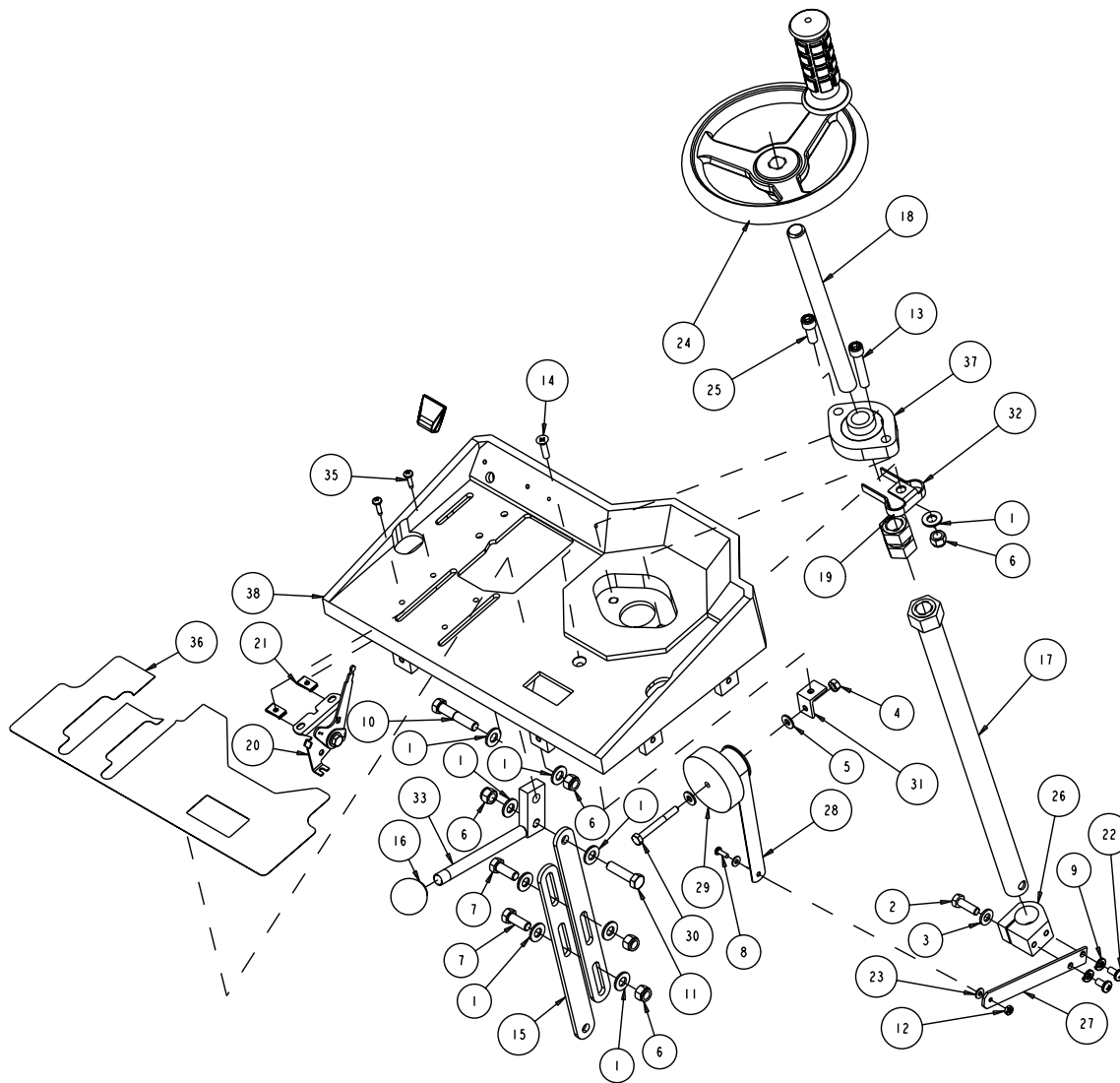
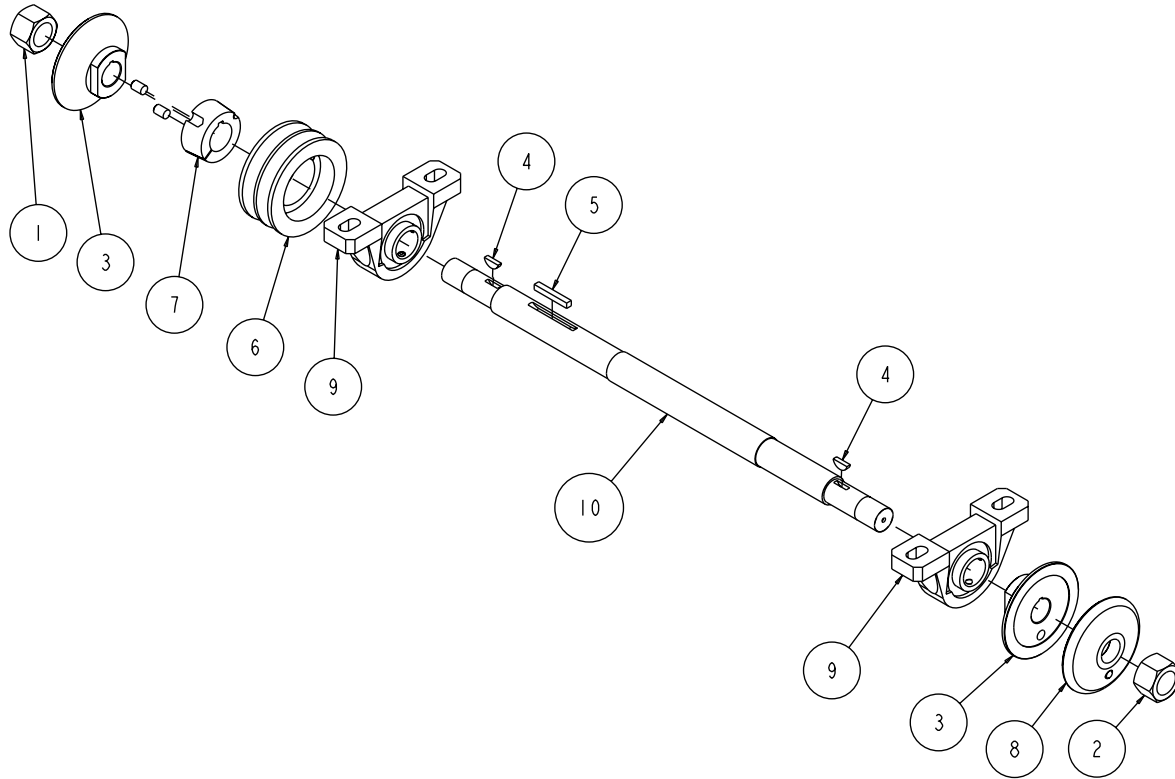


FIGURE 3 - PARTS LIST: FRAME, LESS ENGINE - P/N 169719

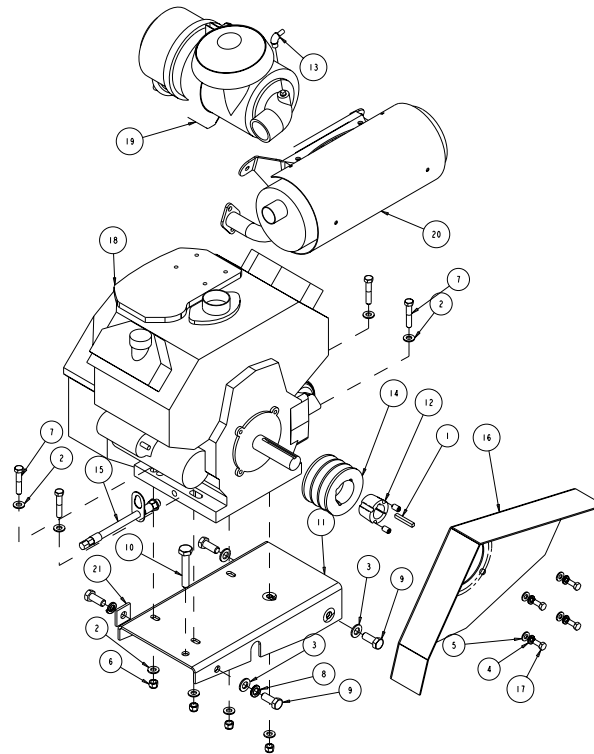
ITEM NO.	DESCRIPTION	PART OR IDENTIFYING NO.	QTY. REQ.
1	WASHER, FLAT, SAE, 3/8	150923	9
2	SCREW, HEX HD, 5/16 - 18 X 1	151743	1
3	WASHER, FLAT, SAE, 5/16	151754	1
4	NUT, HEX, 1/4 - 20	151893	1
5	WASHER, 1/4 SAE FLAT	151915	2
6	NUT, 3/8 -16 NYLOK HEX	152505	5
7	SCREW, HEX HD CAP, 3.8 - 16 X 2	153485	2
8	SCREW, RND HD, #8 - 32 X 1/2	152517	1
9	WASHER, 1/4 SPLIT LOCK	152951	2
10	SCREW, HEX HD, 3/8 - 16 X 1	152507	2
11	SCREW, 3/8 -16 X 1-1/2 HEX HEAD	153528	1
12	NUT, HEX, 8 -32	153549	1
13	SCREW, SOC HD, CAP, 3.8 - 16 X2	153643	1
14	SCREW, FLAT HD, SOC, 1/4 -20 X 1"	153894	1
15	ARM, DRIVE ADJUSTMENT	154242	2
16	KNOB, 1/2 - 20 SSFEM BALL	154486	1
17	LINKAGE, DEPTH FEED 1600/9000	1550449	1
18	STUD, 3/4 - 10 X 10"	155062	1
19	NUT, 3/4 - 10 HEX	155063	2
20	ASSY, THROTTLE CONTROL	155406	1
21	NUT, 10 -24 CLIP	155407	2
22	SCREW, PAN HD, CAP, 14 - 20 X 1/2	155452	2
23	WASHER, FLAT, SAE, #8	155454	2
24	ASSY, CRANK WHEEL, 3/4 - 10	155457	1
25	SCREW, SOCKET HEAD CAP 3.8 - 16 X 1	156602	1
26	CLAMP, DEPTH INDICATOR	156603	1
27	ARM, DEPTH INDICATOR	156604	1
28	SPRING, DEPTH GAUGE	156605	1
29	SPOOL, 2.75 DIA DEPTH INDICATOR	156606	1
30	SCREW, HEX HD, CAP, 1/4 - 20 X 2 - 1/4	156607	1
31	BRACKET, DEPTH INDICATOR	156608	1
32	SPRING, DETENT	156609	1
33	HANDLE, ENGAGE	156610	1
34	ASSY, PIN CLEVIS 3.8 X 1 - 1/4	156611	1
35	SCREW, PAN HD PHIL MS 10 - 24 X 3/4	156641	2
36	LABEL, CONTROL PANEL	165136	1
37	BEARING, FLANGE, 3/4 ID, FD204	165971	1
38	CASING, CONTROL PANEL - COMP	169712	1

FIGURE 4 - PARTS LIST: BLADE SHAFT - P/N 156654



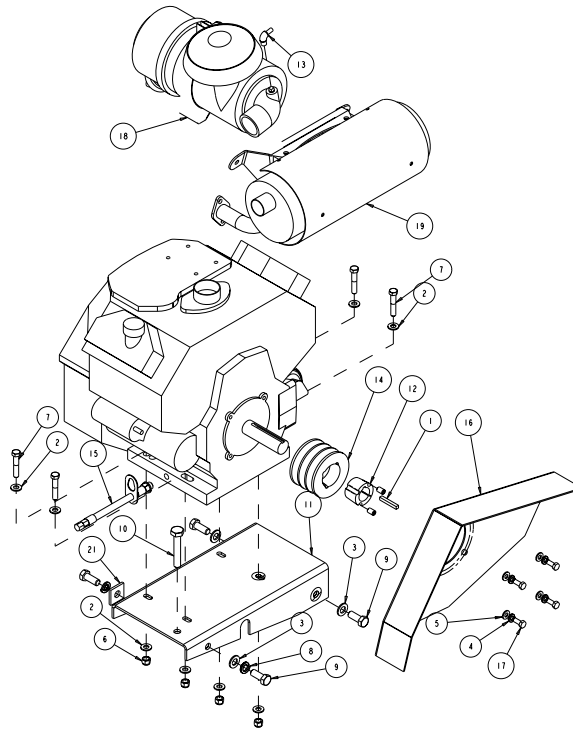
ITEM NO.	DESCRIPTION	PART OR IDENTIFYING NO.	QTY. REQ.
1	NUT, 1 - 14 RIGHT HAND	138693	1
2	NUT, 1 - 14 LEFT HAND	138701	1
3	FLANGE, INNER	150731	2
4	KEY, 3/16 X 3/4 WOODRUFF	150794	2
5	KEY, SQUARE, 1/4 X 1 - 3/4	150796	1
6	PULLEY, 2A34B38 X 1610 TB	150010	1
7	BUSHING, TPR-LOCK 1610X1 - 3/16"	155011	1
8	ASSY, OUTER FLANGE, 4"	155451	1
9	BEARING, 1 - 3/16 ID PILLOW BLOCK	155622	2
10	SHAFT, 1 3/16 BLADE	156599	1

FIGURE 5 - PARTS LIST: ENGINE, HONDA GX630 - P/N 169713



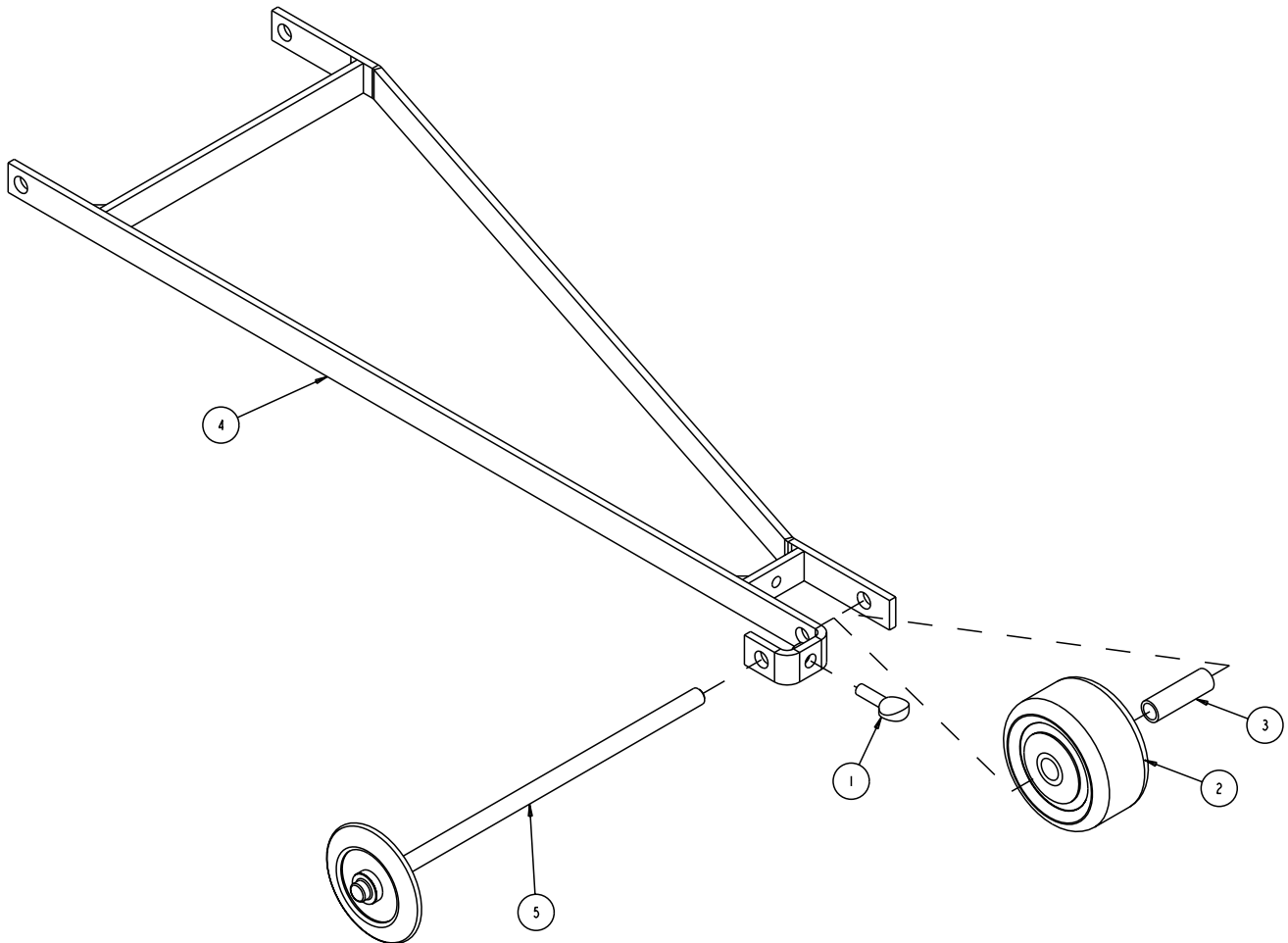
ITEM NO.	DESCRIPTION	PART OR IDENTIFYING NO.	QTY. REQ.
1	KEY, SQUARE, 1/4 X 1 - 3/4	150796	1
2	WASHER, FLAT, SAE, 3/8	150923	8
3	WASHER, 1/2 SAE FLAT	150924	3
4	WASHER, LOCK, SPLIT, 5/16	151747	4
5	WASHER, FLAT, SAE, 5/16	151754	4
6	NUT, 3/8 - 16 NYLOK HEX	152505	4
7	SCREW, HEX HD, 3/8 - 16 X 2	153485	4
8	WASHER, 1/2 SPLIT LOCK	153524	2
9	SCREW, 1/2 - 13 X 1 - 1/4 HEX HEAD CAP	153532	4
10	BOLT, HEX, TAP, 1/2 - 13 X 4	153854	1
11	MOUNT, ENGINE	154237	1
12	BUSHING, TPR - LOCK 1210 X 1 - 1/8"	154430	1
13	ELBOW, 1/8 MNPT X 1/4 BARB 90DEG	154652	1
14	PULLEY, 3A30B34 X 1210TB REV	155009	1
15	ASSY, OIL DRAIN, 14MM	157577-03	1
16	GUARD, INNER BELT	165608	1
17	SCREW, 5/16 - 24 X 3/4 HEX HEAD MACHINE	165617	4
18	ENGINE, HONDA GX630	169592	1
19	ASSY, 7" AIR CLEANER	165593	1
20	MUFFLER, HONDA 20HP 621600	169594	1
21	WASHER, 1/2 SAE FLAT	169958	1

FIGURE 6 - PARTS LIST: ENGINE, HONDA GX690 - P/N 170048



ITEM NO.	DESCRIPTION	PART OR IDENTIFYING NO.	QTY. REQ.
1	KEY, SQUARE, 1/4 X 1 - 3/4	150796	1
2	WASHER, FLAT, SAE, 3/8	150923	8
3	WASHER, 1/2 SAE FLAT	150924	3
4	WASHER, LOCK, SPLIT, 5/16	151747	4
5	WASHER, FLAT, SAE, 5/16	151754	4
6	NUT, 3/8 - 16 NYLOK HEX	152505	4
7	SCREW, HEX HD, 3/8 - 16 X 2	153485	4
8	WASHER, 1/2 SPLIT LOCK	153524	2
9	SCREW, 1/2 - 13 X 1 - 1/4 HEX HEAD CAP	153532	4
10	BOLT, HEX, TAP, 1/2 - 13 X 4	153854	1
11	MOUNT, ENGINE	154237	1
12	BUSHING, TPR - LOCK 1210 X 1 - 1/8"	154430	1
13	ELBOW, 1/8 MNPT X 1/4 BARB 90DEG	154652	1
14	PULLEY, 3A30B34 X 1210TB REV	155009	1
15	ASSY, OIL DRAIN, 14MM	157577-03	1
16	GUARD, INNER BELT	165608	1
17	SCREW, 5/16 - 24 X 3/4 HEX HEAD MACHINE	165617	4
18	ASSY, 7" AIR CLEANER	169593	1
19	MUFFLER, HONDA 20HP 621600	169594	1
20	ENGINE, HONDA GX690	169716	1
21	WASHER, 1/2 SAE FLAT	169958	1

FIGURE 7 - PARTS LIST: ASSY, POINTER - P/N 166465



ITEM NO.	DESCRIPTION	PART OR IDENTIFYING NO.	QTY. REQ.
1	SCREW, THUMB 1/4 - 20 X 3/4	150991	1
2	WHEEL, POINTER, 3"	155066	1
3	BUSHING, 3/8ID X 1 - 5/8L	155153	1
4	POINTER ARM, CONC SAW	156544	1
5	ASSY, POINTER WHEEL	165238	1